

# Sonar

# ESR-S1BB

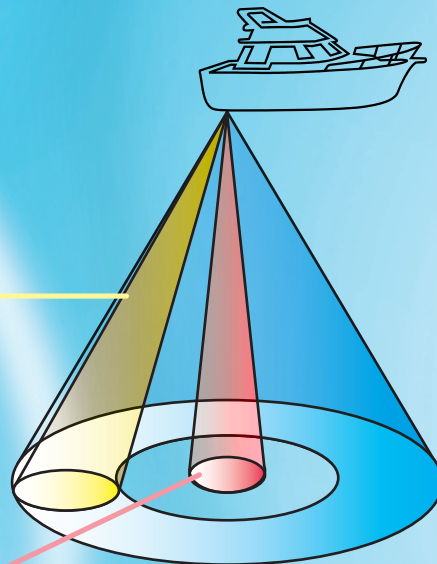
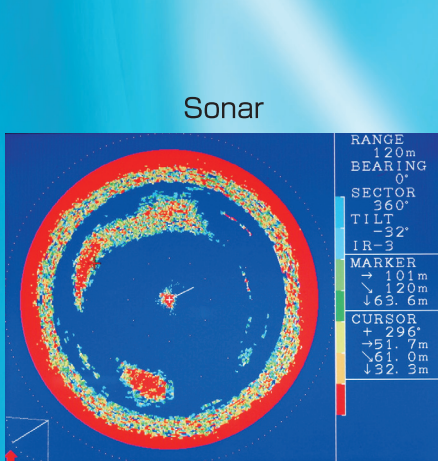
# KODEN

**Paradigm shift in the domain of pleasure boat fishing**

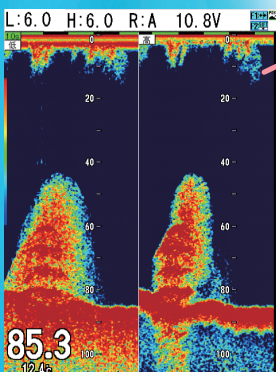


**Grasp underwater world by using combination of sonar and echo sounder.**

Sonar has much wider detection area than echo sounder.  
Baits are easily detected and tracked, therefore it is the best for jig fishing.



Echo Sounder(CVS-128)



**Transducer can be equipped transom or side of vessel.**

While sailing, it can be stored manually.  
This method makes it possible to cut down installation cost.  
Off the shelf monitor can be used at user's choice.

## FEATURES

### Transducer can be equipped transom or side of vessel.

Transducer can be manually put up and down.

This sonar can be equipped even with midget pleasure boat with no space for hoist operated transducer unit.

### High-speed Searchlight Sonar

The high-speed Searchlight Sonar beam scans sectors horizontal and vertical to seach up to a 360 degree area around your vessel. This gives you optimum performance as the searching time is reduced and search omission is prevented to improve the operation efficiency.

### Stabilizer function included in standard equipment

The performance of fish detection is improved by automatically correcting the direction of transducer affected by the boat fluctuation. Upper class functions are included in standard equipment.

### Easy to operate switches

Set by turning knob and operate by pushing buttons. The simplified operation is accomplished by categorizing the operation system.

### Target-lock function

With this lock function, the azimuth and the elevation angle of the beam are controlled automatically to always display the targeted schools of fish on the screen.

### Ring marker and cross cursor

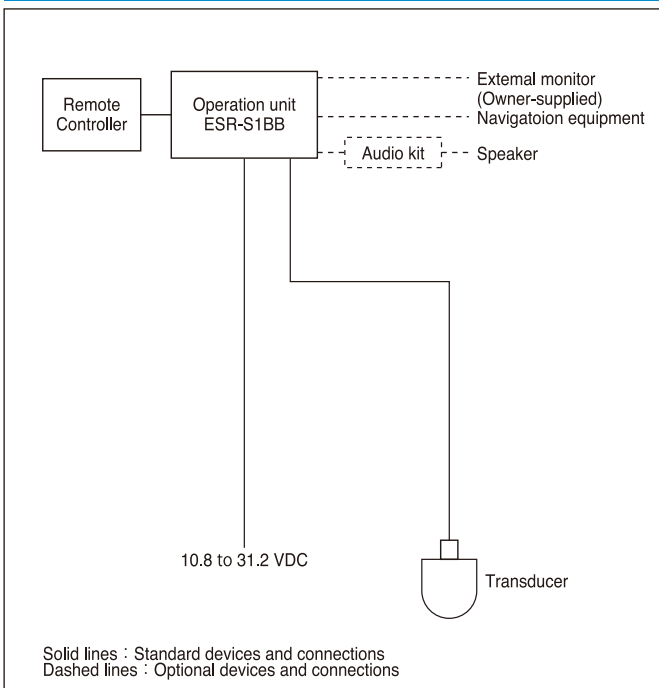
The distance to schools of fish is accurately measured by the ring marker, and the distance and azimuth by the cross cursor.

### Off the shelf monitor can be used at user's choice.

Caution

Select location to install transducer to avoid bubbles by screw revolution.

## CONNECTIONS



## SPECIFICATIONS

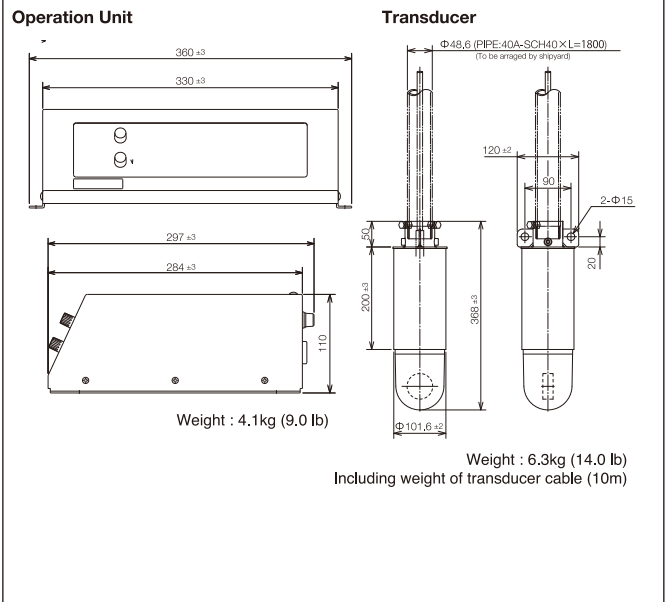
Model	ESR-S1BB	
Output Frequency	220 kHz	
Power output	800 W	
Tilt angle	+5° to -90° (variable with 1° step)	
Hoist stroke	120 to 200 mm	
Presentation colors	8 image colors (selectable from 4096 colors on color palette)	
Presentation modes	Sonar, Off center, Bottom scan, Echo sounder	
Off-centering	Fore, Back, Left, Right (Movable 50% of radius from the center of effective screen)	
Target lock	Horizontal, Horizontal + vertical, Automatic track, Automatic track with tilt control	
Distance unit	Meter, Fathom, I.Fathom, Feet	
Scanning range	10 to 300 m, 10 to 200 fathom / I.fathom, 50 to 1000 ft	
Scanning sector angle	Sonar mode	5° step: 5° 25° 45° 85° 125° 165° 205° 360° 10° step: 10° 30° 50° 90° 130° 170° 210° 360°
	Bottom scan mode	3° step: 3° 27° 45° 63° 93° 117° 147° 177° 5° step: 5° 25° 45° 65° 95° 115° 145° 175°
360° scanning time (extracts)	Scanning range (m)	10 40 80 100 160 200 300
	Scanning time (sec)	5° step: 4.2 7.1 10.9 12.8 18.6 22.4 32.0 10° step: 3.7 5.1 7.0 7.0 10.9 12.8 17.6
Input data formats and sentences	NMEA0183 (GGA, GLL, VTG, HTW)	
Functions	TVG (4 types), pulse selection (3 types), color rejection, Dynamic range (3 levels), Compass display, interference rejection, Bow compensation, Out trigger, RGB Monitor output (VGA), Audio (option)	
Power supply	10.8 to 31.2 VDC	
Power consumption	50 W at 24 VDC	

## EQUIPMENT LIST

Standard equipment	Operation unit	
	Remote Controller	1 set
	DC power cable, Connecting cable	1 set
	Installation materials, Spare parts, Operation manual	1 set
	Transducer with Installation kit	1 set
Options	Power rectifier, NMEA input cable, Audio kit, External speaker	

## DIMENSIONS AND WEIGHT

Unit: mm (inch)



• Design and specifications are subject to change without notice.

**KODEN** Kodon Electronics Co., Ltd.

Tamagawa Office:  
2-13-24 Tamagawa, Ota-ku, Tokyo, 146-0095 Japan  
Tel: +81-3-3756-6501 Fax: +81-3-3756-6509  
Uenohara Office:  
5278 Uenohara, Uenohara-shi, Yamanashi, 409-0112 Japan  
Tel: +81-554-20-5860 Fax: +81-554-20-5875

overseas@koden-electronics.co.jp

[www.koden-electronics.co.jp](http://www.koden-electronics.co.jp)



**Safety precaution**

To ensure proper and safe use of the equipment, please carefully read and follow the instructions in the Operation Manual.

For details, please contact: